

# AKIRA

makes life better

---

## Air Conditioner Service Manual



Большая библиотека технической документации

<https://splitsystema48.ru/instrukcii-po-ekspluatacii-kondicionerov.html>

каталоги, инструкции, сервисные мануалы, схемы.

# MODEL: AC-W7CK

---

Model No.: AC-W7CK  
Version: 1.0

---

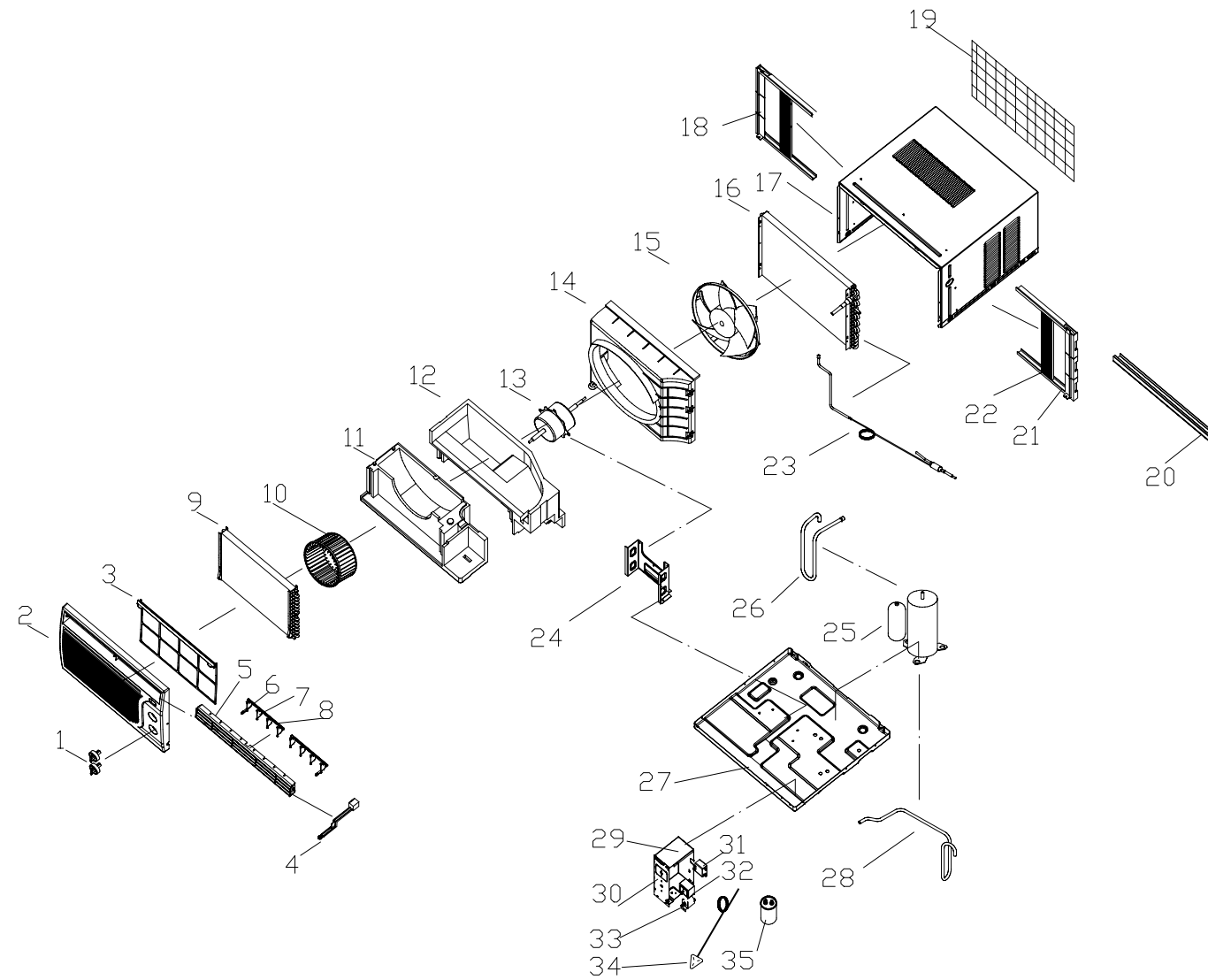
## CONTENTS

TROUBLE SHOOTING GUIDE.....	4
EXPLODED VIEW.....	5
PART LIST.....	6
CIRCUIT DIAGRAM.....	7

## TROUBLE SHOOTING GUIDE

PROBLEM	PASSIBLE CAUSE	SUGGESTED SOLUTION
Air conditioner will not operate	<ul style="list-style-type: none"> <li>➤ No power to the unit.</li> </ul>	<ul style="list-style-type: none"> <li>➤ Check connection of power cord to power source.</li> <li>➤ Check fuse or circuit breaker.</li> <li>➤ Set MODE knob to position other than "OFF".</li> </ul>
Inefficient or no cooling	<ul style="list-style-type: none"> <li>➤ Dirty air filter.</li> <li>➤ Inappropriate capacity for application.</li> <li>➤ Blocked air flow.</li> <li>➤ Power interruption, settings change to quickly, or compressor overload tripped.</li> </ul>	<ul style="list-style-type: none"> <li>➤ Clean or replace air filter.</li> <li>➤ Remove obstruction from grill or outdoor louvers.</li> <li>➤ Let fan run to restart compressor (in approximately 10 minutes).</li> </ul>
Noisy unit	<ul style="list-style-type: none"> <li>➤ Loose parts.</li> <li>➤ Inadequate support.</li> </ul>	<ul style="list-style-type: none"> <li>➤ Tighten loose parts.</li> <li>➤ Provide additional support to unit.</li> </ul>
Odors	<ul style="list-style-type: none"> <li>➤ Formation of mold, mildew, or algae on wet surfaces.</li> </ul>	<ul style="list-style-type: none"> <li>➤ Remove drain plug and drain base pan.</li> <li>➤ Replace drain plug.</li> <li>➤ Clean unit thoroughly.</li> </ul>
Water dripping outside	<ul style="list-style-type: none"> <li>➤ Condensation run-off is normal during hot and humid weather.</li> </ul>	<ul style="list-style-type: none"> <li>➤ Add flexible tubing to redirect water flow.</li> </ul>
Water dripping inside	<ul style="list-style-type: none"> <li>➤ Unit is not properly angled to allow water to drain outside.</li> </ul>	<ul style="list-style-type: none"> <li>➤ Unit must be installed on an angle for proper condensation run-off. Check the unit and make adjustment.</li> </ul>
Ice or frost build-up	<ul style="list-style-type: none"> <li>➤ Low outside temperature.</li> <li>➤ Unit air filter is dirty.</li> </ul>	<ul style="list-style-type: none"> <li>➤ When outdoor temperature is approximately 65°F or below, frost may form when unit is in operation until frost melts.</li> <li>➤ Remove and clean filter.</li> </ul>

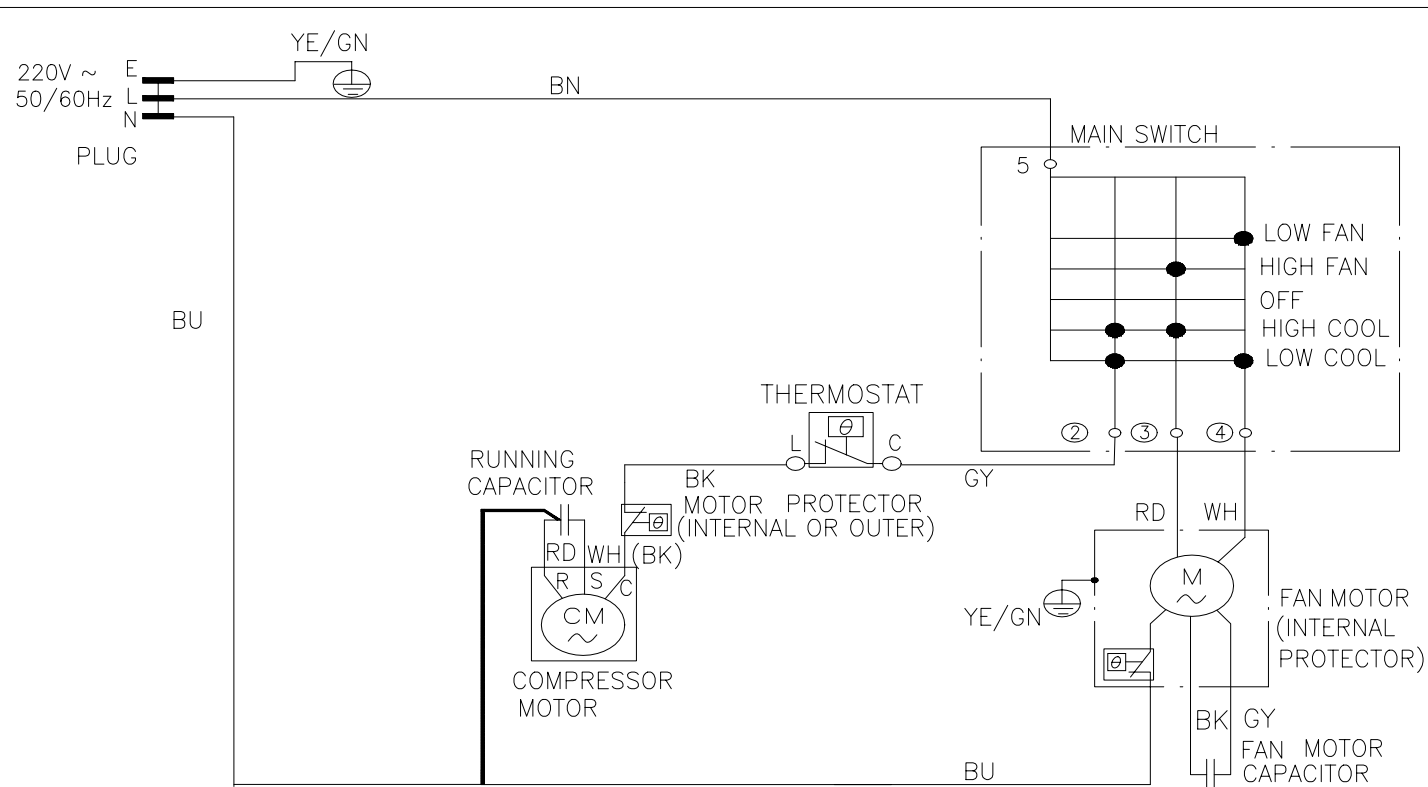
## EXPLODED VIEW



## PART LIST

No	Part name	Qty
1	Knob	2
2	Front panel	1
3	Filter	1
4	Fresh air lever	1
5	Horizontal air vane	1
6	Air vane lever	2
7	Vertical air vane	6
8	Linkage rod	2
9	Evaporator assembly	1
10	Centrifugal fan	1
11	Lower air duct	1
12	Upper air duct	1
13	Fan motor	1
14	Air duct plate	1
15	Axial fan	1
16	Condenser assembly	1
17	Cabinet assembly	1
18	Left filler panel frame	1
19	Rear grill	1
20	Top channel	1
21	Right filler panel frame	1
22	Filler panel	2
23	Capillary assembly	1
24	Motor stay bracket	1
25	Compressor assembly	1
26	Discharge pipe	1
27	Chassis assembly	1
28	Suction pipe	1
29	Electrical assembly	1
30	Electrical box	1
31	Fan capacitor	1
32	Main switch	1
33	Thermostat	1
34	Power supply cord	1
35	Running capacitor	1

## CIRCUIT DIAGRAM



Model No.: AC-W7CK  
Version: 1.0



**Большая библиотека технической документации**  
<https://splitsystema48.ru/instrukcii-po-ekspluatacii-kondicionerov.html>  
**каталоги, инструкции, сервисные мануалы, схемы.**